

GLOBAL PELMET OPTIONS ORDER FORM v2.2

Email all enquiries to: **consquotations@synseal.com**
 Tel: 01623 443200
 Fax back to: 01623 443305
www.synseal.com



Company:
 Account No.
 Address:

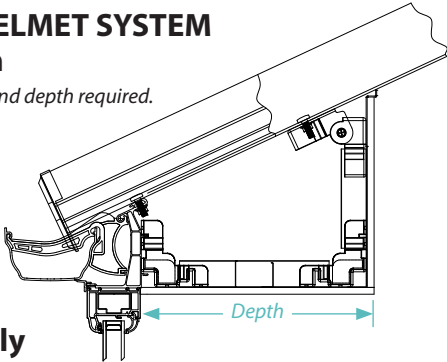
 Postcode:
 Tel:
 Fax:
 Mobile:
 Contact Name:

Required delivery date: / /
 Order reference:
 Signature:

VARIABLE PELMET SYSTEM

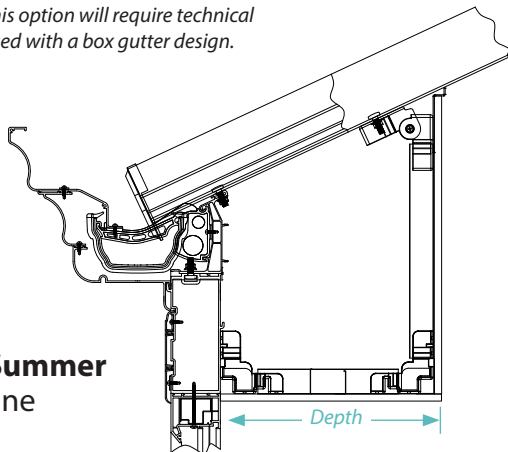
300-1100mm

Please specify style and depth required.

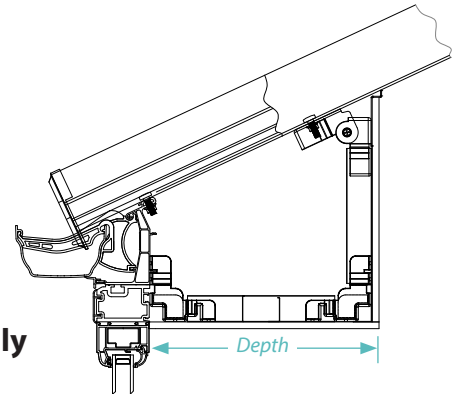


Internal Only
Standard Eaves Only

Please note this option will require technical guidance if used with a box gutter design.

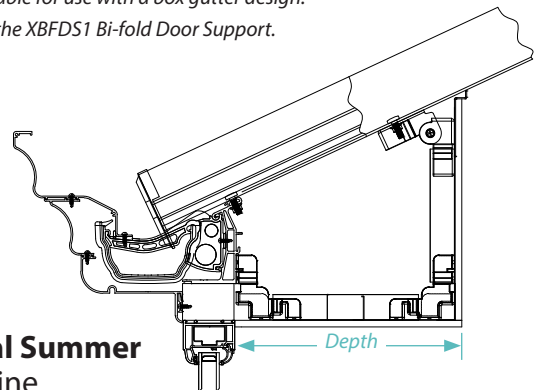


Global Summer
Raised Line



Internal Only
Low Line

Most suitable for use with a box gutter design.
 Features the XBFDS1 Bi-fold Door Support.



Global Summer
Low Line

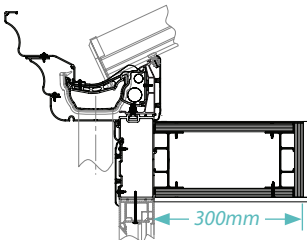
This option will be supplied with a XPELTK1 70mm x 50mm timber packer, unless otherwise specified.

Depth required: 300mm 450mm 600mm Other (mm)

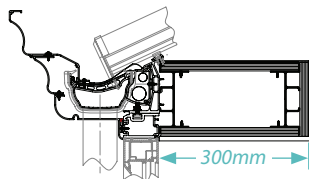
Please note the maximum depth of 1100mm is not available across all conservatory styles. Pelmet depth will also alter on certain facets due to unequal pitches.

PELMET POD SYSTEM

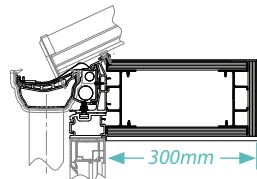
300mm



Global Summer
Raised Line



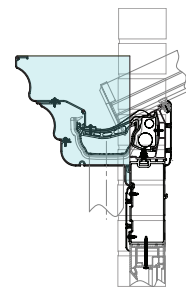
Global Summer
Low Line
 Features the XBFDS1 Bi-fold Door Support.



Internal Only
Low Line
 Features the XBFDS1 Bi-fold Door Support.

Global Summer Fascia End Plate

XGUTF-PLT2 (Mill Finish)



Required

Our conditions of sale shall apply to the sale of the goods to the exclusion of all other terms, unless agreed in writing by Synseal Extrusions Ltd.